

# bradley NEWS

Friday, June 13, 1975



## RETIREE

Retired is HOWARD FALTER, Millwright who retired on June 6th. at age 64 after thirty-four years of service, all of it in the Maintenance Department. This was a rather sudden decision for HOWARD, who said he decided to retire when he was in the hospital recovering from a recent illness. He plans to just take it easy and do a little fishing. For 20 years he says his wife has been after him to do some work around the house and now he is ready to do it. He also plans to do a little traveling.

HOWARD says he has enjoyed everyone he has worked with and we certainly wish for him all the best of everything.

## BLOOD PROGRAM

For the past couple of weeks there has been little activity in our weekly blood program. On May 29, the Red Cross center was not open for donors. On June 5th. the following employees were blood donors:

ROBERT BESS	D/67	CARL COLEMAN	D/67
JOE CASTONGIA	Foreman	JOE DIXON	T.R. D/10

Employees who are currently on layoff are urged to be blood donors even though they are not working. The Red Cross Chapter at 1432 So. 4th. Ave. in Kankakee will accept donors each Thursday from 11:00 A.M. to 12:30 P.M. and from 2:00 P.M. to 5:00 P.M. An appointment is not necessary, but the best times are from 11 to 12:30 and 2 to 3.

We extend sincere sympathy to the family of Retiree ELMER PAHNKE who passed away last Sunday. ELMER was the brother-in-law of MEL BOULE, Vice-President of Manufacturing.

## BLOOD PRESSURE TESTING

Medical researchers are taking a long, thoughtful look at high blood pressure and its devastating companion, hypertension. And they've given it a new, but deadly nickname - "The Quiet Killer".

The "Quiet Killer" is fast becoming the Number One public health enemy of the age with medical statistics predicting 200,000 deaths from strokes this year. Hypertension is the leading cause of strokes.

Hypertension is also the major contributor to heart disease. Hardly any part of the body is immune from the effects of hypertension which damages the kidneys, causes impairment of eyesight, and internal hemorrhages.

Because high blood pressure so often goes unnoticed, by those not having regular physical check-ups, Roper is setting in motion a corporation wide plan for all its employees to have their blood pressure checked at no expense or loss of time.

This plan, will be included in the plan with employee participation on a voluntary basis. The blood pressure will be checked by a nurse, a painless procedure taking less than five minutes. If that pressure falls into the normal range for that person's age and weight, he will be told. If there is some abnormality, he will be referred to his family doctor for further checking.

The actual testing will probably begin at Bradley before the end of this week by our nurse probably in the department offices. There will be additional information in next week's issue.

## SOFTBALL

Roper Outdoor Products again this year is represented by a softball team. The boys, who competed last year in the Industrial League have stepped up to tougher competition this year and are playing in the Big Twelve League. They are finding the going a little rougher and so far have a record of two wins and three losses. The team this year is managed by AL BISAILLON who also does the catching. Other team members are RICK PROUTY 1B, STEVE GROENWOLD 2B, DENNIS CAMP SS, GREG SALISBURY 3B, LEN SOULIGNE P., and the outfielders are SCOTT BURNS, BILL and HOWARD BESSETTE, JOHN REED, BOB CARDOSI, KENNY COLLETTE, BOB WEICHBRODT and BILLIE BROWN.

The team plays all its games at Pier 6 diamond in Aroma Park.



**OLD TIMER OF THE WEEK**

This weeks honored employee is BON BURNLEY, one of the real "Old Pros" of the Machine Shop, who came to work at Bradley on April 30, 1941 and has spent his entire career in the same department. He spent twenty-seven years on the same milling machine, has been Set-Up Man, and has been operating a grinder for the last six years.

During World War II BON served thirteen months in the Army Air Corps as a medic. All of his service time was spent in the United States unless, as he says, Texas could be considered overseas service.

Thirty four years of married life ended for BON when his wife Lorene died almost two years ago. He recently married the former Helen Benjamin whose son ROGER works here in D/15A. BON has two married daughters and six grandchildren. Reba Lee Estes lives in Kankakee and Emma Jane Floyd, whose husband is a 14 year career Air Force man, lives in Shreveport, Louisiana.

This great Old Timer loves to travel and has visited all of the eastern states and got as far west as Yellowstone Park. His only other hobby is piddling around the house and yard at 439 Country Club Drive in Kankakee. A youthful 58 years of age he is looking forward to many more years at Bradley.



"Why am I always the designated hitter?"

**GOLF LEAGUE**

Tragedy struck the Roper Golf League this week and removed one half of the leading team with the untimely and sudden death of ELMER PAHNKE. ELMER and his partner BOB MULVIHILL had been enjoying a comfortable lead, but, of course, did not play this week. But, as they say, the show must go on and next week THURSTON JONES will fill the vacant spot. Excluding that team the leaders this moment are as follows:

- |                                 |          |
|---------------------------------|----------|
| 1. Lee Herscher & Walt Bishop   | 237 pts. |
| 2. John Coffman & Elwood Weiske | 226 pts. |
| 3. Fred Dust & Mike Puffer      | 220 pts. |
| 4. Frank McNash & Gene Seamark  | 213 pts. |

It was also a night for substitutions with some new names making the news. Low Team Net was won by LEO WILLIAMSON (subbing for BOB PATTERSON) and VERN WILLIAMS with 71. JOHN COFFMAN and TOM LAFLAMME (subbing for WEISKE) had 72. LOUIE GINERIS (subbing for TOMMY BROWN) and BOB GIBSON had 77.

In individual competition in Class A FRED DUST was low with 33 while BILL LUSTIK and LEE HERSCHER tied for second with 36's. ART PEPIN led Class B golfers with a net 31 followed by OLIVER MILLER'S 37 and FRANK MCNASH'S 39.

COFFMAN'S 39 won Low Gross in Class A while PEPIN'S 49 was Low Gross among Class B golfers.

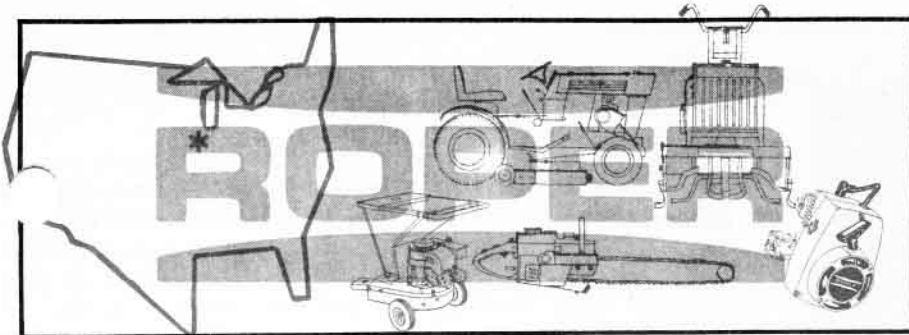
Only one birdie was scored, that by WAYNE RASSMUSSEN.

**BIRTH**

Congratulations to GERALD D/35 and Marlene CRAIG on the birth of their 3rd. child a girl Tine K. born June 1.

FOR SALE: A.K.C. registered Silver Toy Poodles. Phone 427-6647.

<b>ROPER OUTDOOR PRODUCTS</b>		<b>BULK RATE</b> U. S. POSTAGE <b>PAID</b> Bradley, Ill. 60915 Permit No. 29
<b>BRADLEY PLANT</b> BRADLEY, ILLINOIS 60915		
ADDRESS CORRECTION REQUESTED		
ARSENEAU A J RR #1 BOX 364 ST ANNE ILL		0428 60964



# bradley NEWS

Friday, June 13, 1975



## RETIREE

Retired is HOWARD FALTER, Millwright who retired on June 6th. at age 64 after thirty-four years of service, all of it in the Maintenance Department. This was a rather sudden decision for HOWARD, who said he decided to retire when he was in the hospital recovering from a recent illness. He plans to just take it easy and do a little fishing. For 20 years he says his wife has been after him to do some work around the house and now he is ready to do it. He also plans to do a little traveling.

HOWARD says he has enjoyed everyone he has worked with and we certainly wish for him all the best of everything.

## BLOOD PROGRAM

For the past couple of weeks there has been little activity in our weekly blood program. On May 29, the Red Cross center was not open for donors. On June 5th. the following employees were blood donors:

ROBERT BESS	D/67	CARL COLEMAN	D/67
JOE CASTONGIA	Foreman	JOE DIXON	T.R. D/10

Employees who are currently on layoff are urged to be blood donors even though they are not working. The Red Cross Chapter at 1432 So. 4th. Ave. in Kankakee will accept donors each Thursday from 11:00 A.M. to 12:30 P.M. and from 2:00 P.M. to 5:00 P.M. An appointment is not necessary, but the best times are from 11 to 12:30 and 2 to 3.

We extend sincere sympathy to the family of Retiree ELMER PAHNKE who passed away last Sunday. ELMER was the brother-in-law of MEL BOULE, Vice-President of Manufacturing.

## BLOOD PRESSURE TESTING

Medical researchers are taking a long, thoughtful look at high blood pressure and its devastating companion, hypertension. And they've given it a new, but deadly nickname - "The Quiet Killer".

The "Quiet Killer" is fast becoming the Number One public health enemy of the age with medical statistics predicting 200,000 deaths from strokes this year. Hypertension is the leading cause of strokes.

Hypertension is also the major contributor to heart disease. Hardly any part of the body is immune from the effects of hypertension which damages the kidneys, causes impairment of eyesight, and internal hemorrhages.

Because high blood pressure so often goes unnoticed, by those not having regular physical check-ups, Roper is setting in motion a corporation wide plan for all its employees to have their blood pressure checked at no expense or loss of time.

This plan, will be included in the plan with employee participation on a voluntary basis. The blood pressure will be checked by a nurse, a painless procedure taking less than five minutes. If that pressure falls into the normal range for that person's age and weight, he will be told. If there is some abnormality, he will be referred to his family doctor for further checking.

The actual testing will probably begin at Bradley before the end of this week by our nurse probably in the department offices. There will be additional information in next week's issue.

## SOFTBALL

Roper Outdoor Products again this year is represented by a softball team. The boys, who competed last year in the Industrial League have stepped up to tougher competition this year and are playing in the Big Twelve League. They are finding the going a little rougher and so far have a record of two wins and three losses. The team this year is managed by AL BISAILLON who also does the catching. Other team members are RICK PROUTY 1B, STEVE GROENWOLD 2B, DENNIS CAMP SS, GREG SALISBURY 3B, LEN SOULIGNE P., and the outfielders are SCOTT BURNS, BILL and HOWARD BESSETTE, JOHN REED, BOB CARDOSI, KENNY COLLETTE, BOB WEICHBRODT and BILLIE BROWN.

The team plays all its games at Pier 6 diamond in Aroma Park.



**OLD TIMER OF THE WEEK**

This weeks honored employee is BON BURNLEY, one of the real "Old Pros" of the Machine Shop, who came to work at Bradley on April 30, 1941 and has spent his entire career in the same department. He spent twenty-seven years on the same milling machine, has been Set-Up Man, and has been operating a grinder for the last six years.

During World War II BON served thirteen months in the Army Air Corps as a medic. All of his service time was spent in the United States unless, as he says, Texas could be considered overseas service.

Thirty four years of married life ended for BON when his wife Lorene died almost two years ago. He recently married the former Helen Benjamin whose son ROGER works here in D/15A. BON has two married daughters and six grandchildren. Reba Lee Estes lives in Kankakee and Emma Jane Floyd, whose husband is a 14 year career Air Force man, lives in Shreveport, Louisiana.

This great Old Timer loves to travel and has visited all of the eastern states and got as far west as Yellowstone Park. His only other hobby is piddling around the house and yard at 439 Country Club Drive in Kankakee. A youthful 58 years of age he is looking forward to many more years at Bradley.



"Why am I always the designated hitter?"

**GOLF LEAGUE**

Tragedy struck the Roper Golf League this week and removed one half of the leading team with the untimely and sudden death of ELMER PAHNKE. ELMER and his partner BOB MULVIHILL had been enjoying a comfortable lead, but, of course, did not play this week. But, as they say, the show must go on and next week THURSTON JONES will fill the vacant spot. Excluding that team the leaders this moment are as follows:

- |                                 |          |
|---------------------------------|----------|
| 1. Lee Herscher & Walt Bishop   | 237 pts. |
| 2. John Coffman & Elwood Weiske | 226 pts. |
| 3. Fred Dust & Mike Puffer      | 220 pts. |
| 4. Frank McNash & Gene Seamark  | 213 pts. |

It was also a night for substitutions with some new names making the news. Low Team Net was won by LEO WILLIAMSON (subbing for BOB PATTERSON) and VERN WILLIAMS with 71. JOHN COFFMAN and TOM LAFLAMME (subbing for WEISKE) had 72. LOUIE GINERIS (subbing for TOMMY BROWN) and BOB GIBSON had 77.

In individual competition in Class A FRED DUST was low with 33 while BILL LUSTIK and LEE HERSCHER tied for second with 36's. ART PEPIN led Class B golfers with a net 31 followed by OLIVER MILLER'S 37 and FRANK MCNASH'S 39.

COFFMAN'S 39 won Low Gross in Class A while PEPIN'S 49 was Low Gross among Class B golfers.

Only one birdie was scored, that by WAYNE RASSMUSSEN.

**BIRTH**

Congratulations to GERALD D/35 and Marlene CRAIG on the birth of their 3rd. child a girl Tine K. born June 1.

FOR SALE: A.K.C. registered Silver Toy Poodles. Phone 427-6647.

<b>ROPER OUTDOOR PRODUCTS</b>		<b>BULK RATE</b> U. S. POSTAGE <b>PAID</b> Bradley, Ill. 60915 Permit No. 29
<b>BRADLEY PLANT</b> BRADLEY, ILLINOIS 60915		
ADDRESS CORRECTION REQUESTED		
ARSENEAU A J RR #1 BOX 364 ST ANNE ILL		0428 60964